

RCTrms-3ph

Industrially specified true rms ac current transducer



RCTrms-3ph - Thin, flexible, clip-around, ac current transducer with true rms measurement

The RCTrms-3ph is a 3-Channel ac current transducer for permanent installation. Simple to install and easy to retrofit it combines the benefits of a thin, flexible, clip-around Rogowski (sense) coil with a signal conditioner providing accurate, true rms measurement, of ac current.

The RCTrms-3ph has an industry standard 4-20mA or 0-5V output making it ideal for process control, status alarming or system monitoring purposes. Typically the RCTrms is used with SCADA systems, PLCs, data loggers

The RCTrms-3ph is a 3-Channel ac current transducer providing a 4 to 20mA or 0 to 5V output proportional to the true RMS of the primary current and has the advantages of:

- Easy to retrofit
- Simple to install in applications where space is limited
- The size of the Rogowski coil can be specified independently of the primary current
- Does not suffer from magnetic saturation
- Ideal for process control, status alarming or system monitoring in a wide variety of applications, from arc furnaces to power distribution.

RCTrms-3ph

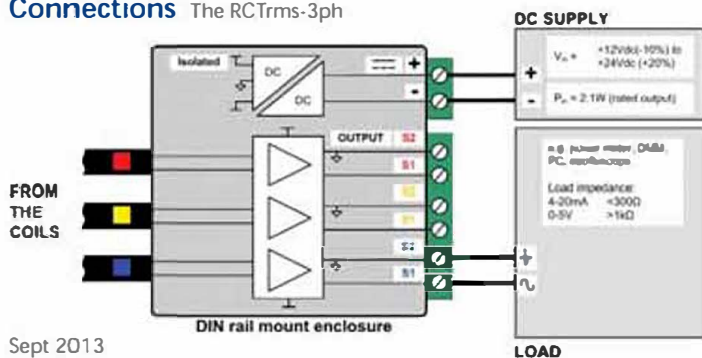
Specifications



| | | | |
|---------------------|-------|-------|--------|
| Rated current (rms) | 100A | 2000A | 10000A |
| | 250A | 2500A | 16000A |
| | 500A | 3000A | 20000A |
| | 800A | 4000A | 25000A |
| | 1000A | 5000A | 40000A |
| | 1600A | 8000A | 50000A |

| | |
|------------------------------------|--|
| Rated output (Full scale FS) | 4 to 20mA -or- 0 to 5V output |
| Output limit | 150% FS (28mA or 7.5Vdc) |
| Supply voltage (Wide input) | 12Vdc (-10%) to 24Vdc (+20%) |
| Input power | 2.1W (at rated output) |
| Operating temperature range | -5°C to +65°C (Integrator) -20°C to +80°C (Coil and cable) |
| Bandwidth (-3dB) | 2Hz to 100kHz |
| Max. Response time (10 to 90%) | 1000ms |
| Accuracy (typ.) | ± 1.0% of reading (0 - 5V) ± 1.5% of reading (4 - 20mA) (10% to 150% FS, 25°C) |
| Output load | <300Ω for 4 - 20mA output >1kΩ for 0 - 5V output |
| Coil Length | 300mm, 500mm or 700mm Custom lengths available |
| Cable Length (coil to electronics) | 1m or 2.5m Custom lengths available |

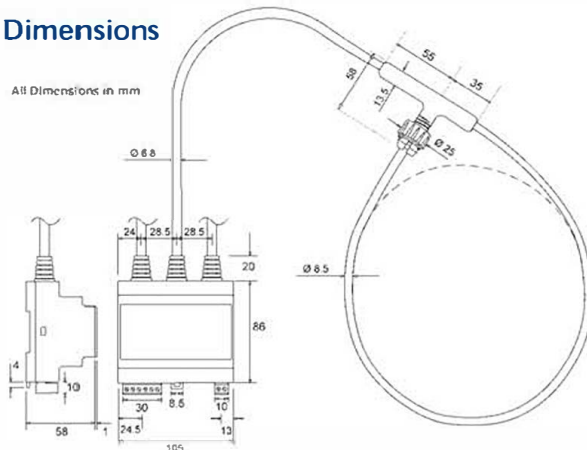
Connections



Sept 2013

Dimensions

All Dimensions in mm



Features

- Traceable calibration
 - Every unit is supplied with a traceable calibration certificate
 - No magnetic materials means excellent linearity <math>< 0.1\%</math> reading
- Fully isolated measurement
 - Isolated power supply 2kVdc
 - Coil rated at 2kVpeak (withstand test is 4kVrms/50Hz/ 60 sec)
- Small DIN rail (or panel mount) enclosure – UL94 V-0 rated

Options

- Isolated BNC-BNC cable split option
 - Between coil and electronics to enable ease of installation e.g. threading through existing conduit. Standard cable permanently fixed.

Standards and Approvals

- CE marked
- Complies with EMC EN 61326-1 2006
- Complies with IEC61010-1:2001

Order code RCTrms-3ph

The RCTrms-3ph order code can be generated as follows:

| Output | Rated current (A) | Cable length (m) | Coil length (mm) | Options |
|--------------------|-------------------|------------------|-------------------|-----------------------|
| 420 (1 to 20mA) | 250 500 | 1 2.5 | 300 500 700 | BC BNC Cable Split |
| 005 (0 to 5Vdc) | 50000 | Custom lengths | Custom lengths | |

For example: RCTrms3ph/420/2000/1/700 has a rated primary current 2000A, 4-20mA Output, 1m cable 700mm coil no options

Further information

The RCTrms-3ph can be configured to suit a great many applications. If your requirement is outside that listed in this datasheet please contact us to discuss your application.

More detailed technical advice is available at www.elect-tech.co.uk



Elect-Tech Europe
Worton Hall Industrial
Isleworth UK TW7 6ER
info@elect-tech.co.uk