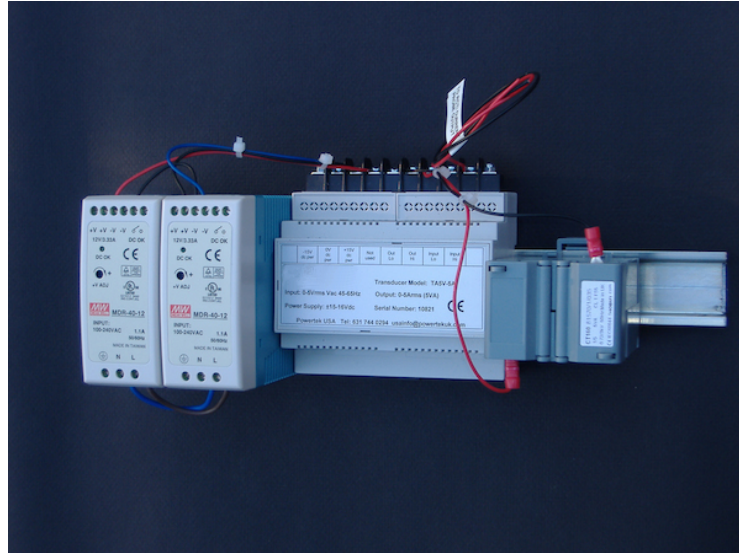


CTA-5A Rogowski Current Probe



The CTA-5A module converts and conditions a CTA flexible current sensor voltage output to a 0-5Arms output. It will produce a linear current output proportional to the input voltage. The actual current range is indicated on the transducer label. The CTA-5A uses a 1/5A current transformer to provide its 5Arms output. It is supplied with twin Din Rail power supplies creating a $\pm 15.5\text{Vdc}$. Typically this device is used when a voltage output current probe/current sensor requires connection to existing 1A or 5A metering circuits.

- Protection
- Suitable for single or three phase systems
- Din Rail or Wall Mounting
- Application
- Retrofit
- Drive Long Cables
- Measure harmonic currents
- Live Installation
- Traceable
- Safety EN61010-1 1000Vac CATIII, 600Vac CATIV CE marked, UL94V0 flame retardant

Specifications

Maximum allowable input voltage is 18Vpk at sense coil input terminals

Input impedance 100k ohm

Recommended measurement range is 5% to 100% range

Minimum dc power supply rail is 15Vdc 1A for module, maximum dc power supply rail is 16Vdc

Accuracy is $\pm 1\%$ over the temperature range $23^{\circ}\text{C} \pm 5^{\circ}\text{C}$

Operational range -20°C to $+65^{\circ}\text{C}$

Cable: 1000V UL style 20940, 5mm dia, 3metre length

Current Sense coil

Diameter: 100mm/3.93" or 160mm / 6.3" clip-around split core construction

Thickness: 8mm / 0.31"

Material: Flexible Thermoplastic rubber, flame retardant UL94VO

Working voltage: 1000V at 50/60Hz CAT III, tested 7400V 50/60Hz 1 minute

Conditioner-amplifier

Casing: Din Rail module UL94VO and CSA approved polycarb, 250mm total length

Fundamental Frequency: 20Hz to 500Hz

Bandwidth: 20Hz-2500Hz

Output rating: 5VA (0.2 ohm burden)

Phase shift: 0.04° at 50/60/400Hz

Accuracy: $<1.0\%$ accuracy

Input impedance: 100kohm

Accurate with waveform crest factors: 1 - 5

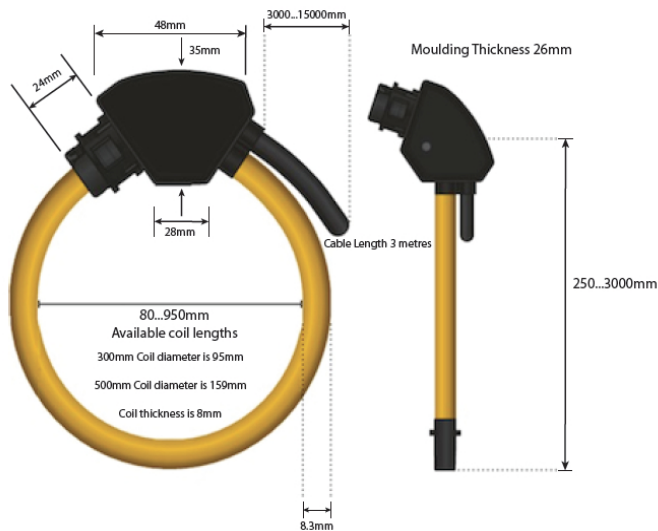
Input ranges: 100A to 10,000Arms

Power: 110Vac-240Vac power, optional 24Vdc, 48Vdc and 125Vdc

Includes: Din Rail, PSU and output CT (5A)

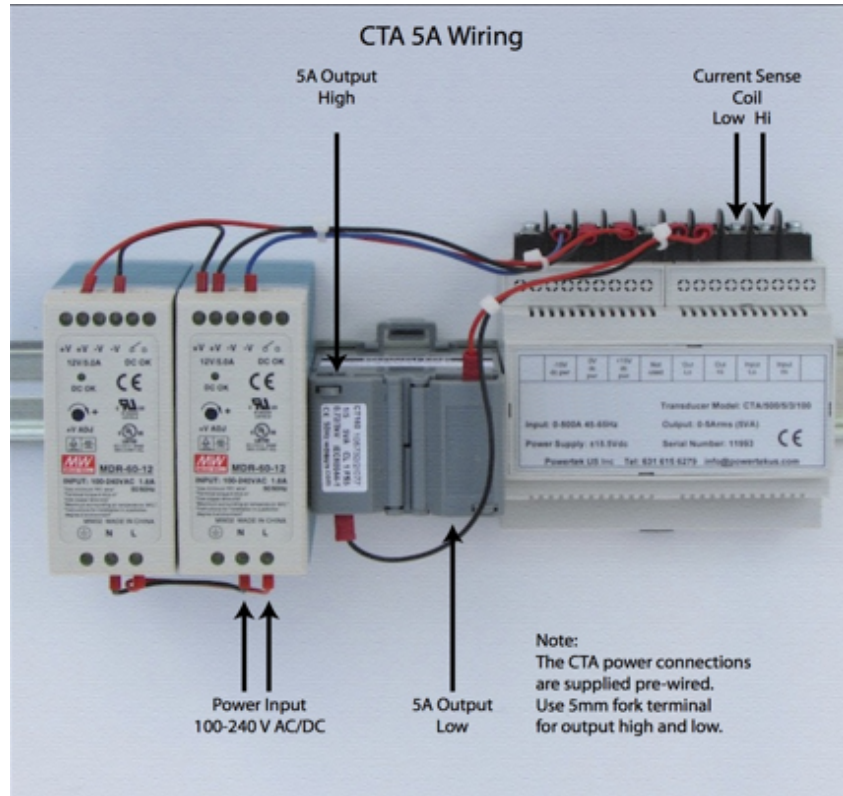
07 April 2015 V1.0

CTA Coil Drawing 2



Connections and installation

Screw terminals are provided for the power input and output connections. The terminal block connections are labeled. The CTA-5A is DIN rail or wall mountable.



Installation and safety

Installation should be carried out by authorised personnel, familiar with the danger of electric shock hazards. The CTA-5A transducer should only be used in dry indoor environments. To prevent damage, check for correct connection of the CTA-5A psu, inputs and outputs. Allow a minimum warm up period of 5 minutes. Ensure that the CTA casing ventilation slots are not obstructed. If the internal fans cannot be heard running, do not use the module.



Elect Tech Europe
Worton Hall Industrial
Isleworth UK TW7 6ER
info@elect-tech.co.uk